

**Datasheet**

Issued: February 18, 2022

File Edition: V1.0.1



Figure 1. 4.3-Inch Enviro Touch Screen

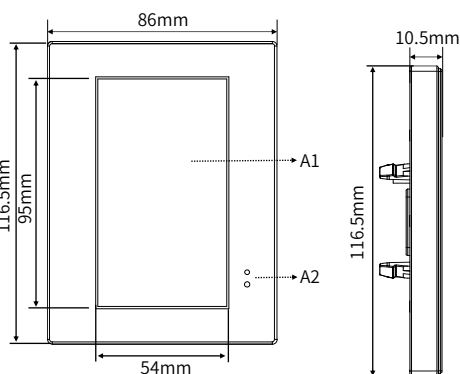


Figure 2. Dimensions - Front View (Regular) Figure 3. Dimensions - Side View (Regular)

HDL-MPTLC43.46-A

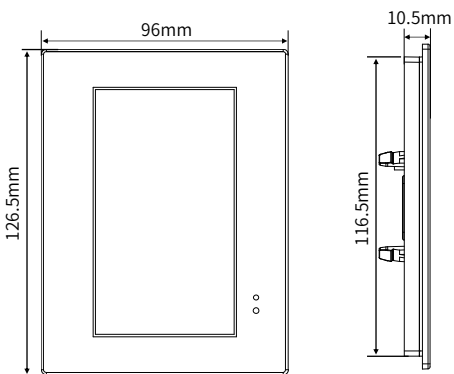


Figure 4. Dimensions - Front View (Larger) Figure 5. Dimensions - Side View (Larger)

HDL-MPTLC43-FM.46

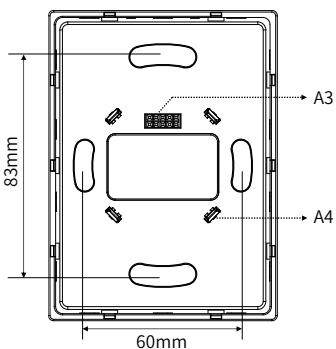


Figure 6. Dimensions - Back View  
Figure 2 - 6. Dimensions

## Overview

Enviro Touch Screen (See Figure 1) is a high-end and multi-function control panel for home automation. With real color LCD screen, touch control, it is convenient for the users to control lighting, scene, curtain, music, air conditioning, floor heating and others in an intuitive way.

## Functions

- Built-in temperature sensor and proximity sensor
- Adjustable LCD backlight
- LCD screen wakes up automatically.
- According to the preset time, the panel can automatically switch to the set interface. As the set time passed, the screen dims and enters the energy saving mode.
- 60 control buttons in total can be set. The quantity and layout of the control buttons can be defined by user.
- AC control: Supports 9 air conditioners
- Floor heating control: Totally 9 floor heating modules supported. Floor heating modes: Normal, Day, Night, Away, Timing. (According to the preset time, the panel can switch automatically between Day mode and Night mode.)
- Music play: supports 9 music players  
Various music source supported: SD card, Audio-IN, BT, S/PDIF, RADIO  
SD card playlist options: LIST1...LIST10
- Timer function
- Security settings: supports various security modes: Vacation, Away, Day, Night, Meeting guests, etc.
- Standby interface: Date, time and current temperature display
- Various key modes: Invalid, Single on/off, Single on, Single off, Combination on, Combination off, etc.
- Various key control modes: Scene, Sequence, Time switch, Universal switch, Single channel adjustment, Broadcast scene, Broadcast channel, Curtain control, GPRS control, Panel control, Security module, Music play, General control;
- Panel control functions include: Infrared receiving enable, AC on/off, AC cooling/heating mode, Auto temperature setting, Fan speed adjustment, AC mode setting, AC temperature adjustment, Backlight switch, AC lock, Backlight and status indicator luminance setting, Floor heating temperature and mode control, etc.
- Upgrading online via HDL Buspro is available.

## Important Notes

- The panel should be installed on wall box.
- The panel should work in conjunction with the power interface.
- Buspro connection - hand-in-hand recommended.

## Product Information

**Dimensions - See Figure 2 - 6**

- A1. LCD screen:** 4.3-inch IPS true color LCD screen with customizable icons via HDL Buspro Setup Tool.
- A2. Proximity sensing:** Also known as wake-up function, when someone approaches the sensor, the LCD screen will light up.
- A3. Communication interface:** HDL Buspro bus connector. It connects to panel power interface.
- A4. Mounting slot:** Connects to the panel power interface.

## Safety Precautions

- The installation and testing for the product must be carried out by HDL Automation Co., Ltd. or its appointed service agencies. The electric construction shall comply with local laws and safety regulations.
- The device should be installed in wall box. HDL will not be responsible for any consequence caused by the inexperienced or faulty installation and wiring methods, which are not in accordance with the instructions contained in this operating instruction.
- Please do not privately disassemble or replace any parts of the product. Otherwise, it may cause mechanical fault, electric shock, fire or personal injuries.
- Please contact our after-sales departments or our designated service agencies for your maintenance service. Product failures caused by private disassembly are not subject to this warranty.

## Package Contents

Panel\*1 / Datasheet\*1

## Technical Data

### Basic Parameters

Working voltage	12~30V DC
Working current	85mA/24V DC
Communication	HDL Buspro
Cable diameter of Buspro terminal	0.6-0.8mm

### External Environment

Working temperature	-5°C~45°C
Working relative humidity	≤90%
Storage temperature	-20°C~60°C
Storage relative humidity	≤93%

### Specifications

LCD resolution	480x272
Dimensions	86×116.5×10.5 (mm) (Regular) 96×126.5×10.5 (mm) (Larger)
Net weight	129g(Regular), 186g(Larger)
Housing material	Glass, Aluminum alloy, PC, ABS
Installation	Wall box (See Figure 7)
Protection rating (Compliant with EN 60529)	IP20

### Approved

CE

RoHS

## HDL Buspro Cable Guide

HDL Buspro	HDL Buspro Cable	CAT5/CAT5E
DATA+	Yellow	Blue/Green
DATA-	White	Blue white/Green white
COM	Black	Brown white/Orange white
24V DC	Red	Brown/Orange

## Installation

### Product installation and disassembly

#### Installation - See Figure 7

Step ①: Install the wall box (1-1 or 1-2) in the wall.

Step ②: Fix the power interface onto the wall box with screws.

Step ③: Hold the edge of panel, and insert the panel in the slots of power interface vertically.

#### Disassembly - See Figure 8

Step ①: Insert a straight screwdriver into the gap between the panel and power interface.

Step ②: Hold the panel, pry up the panel gently and take down the panel.

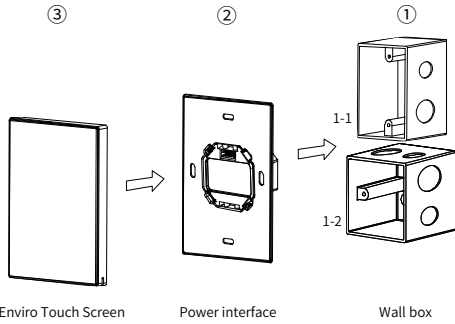


Figure 7. Installation

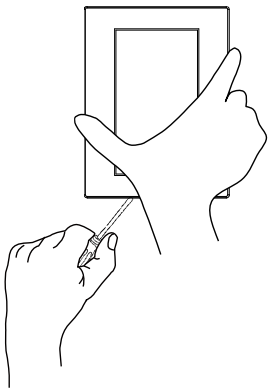


Figure 8. Disassembly

#### Technical support

E-mail: [hdtickets@hdlautomation.com](mailto:hdtickets@hdlautomation.com)

Website: <https://www.hdlautomation.com>

©Copyright by HDL Automation Co., Ltd. All rights reserved.  
Specifications subject to change without notice.